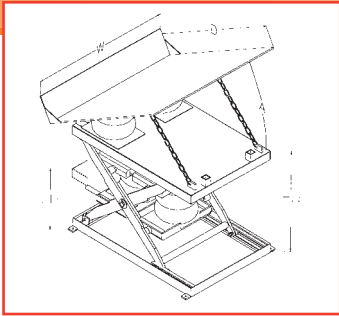
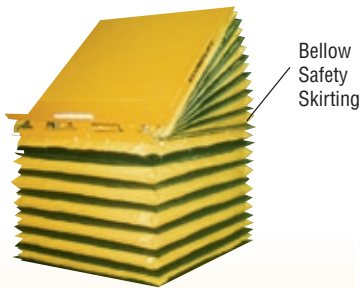


# LIFT/TILT TABLES

1,000/2,000/4,000/6,000 LBS



## OPTIONS



Bellow Safety Skirting

### CAPACITY

- 1,000/2,000/4,000/6,000 lbs.

### TILT ANGLE

- 0-40 degrees (standard)

### LOWERED HEIGHT

- 15"

### TRAVEL

- 24"

### FRONT RETAINING LIP

- 8" high (standard)

### POWER SUPPLY

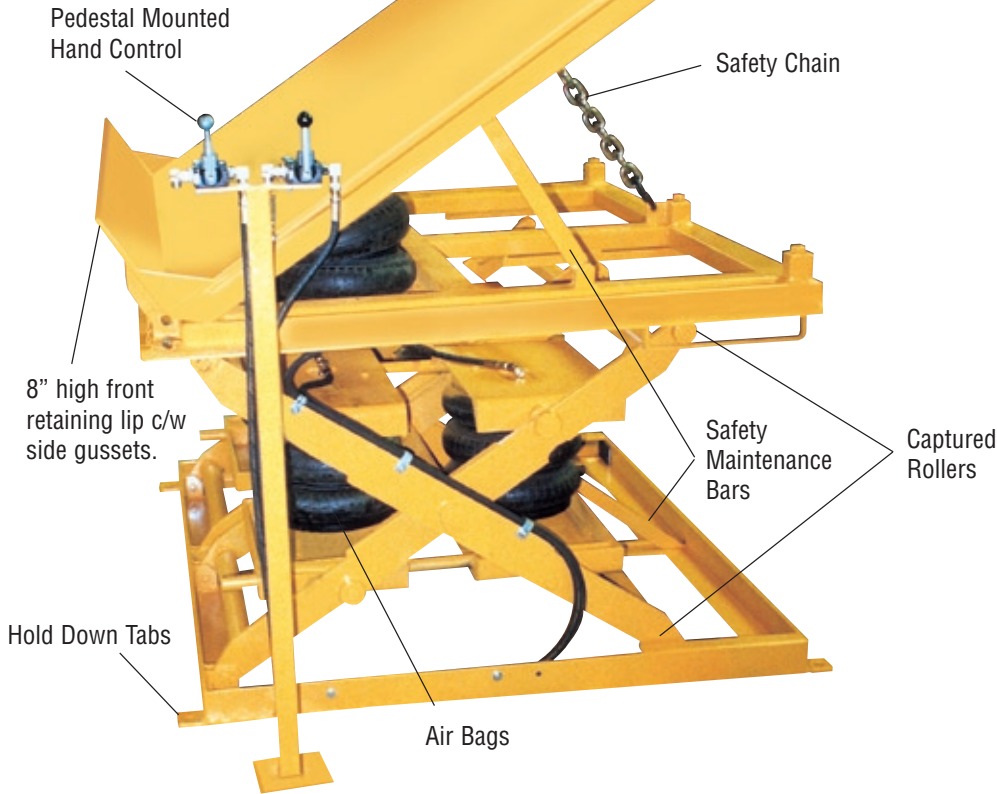
#### Air

- Pedestal Mounted Hand Control (up/down valve)
- Covered Foot Control (optional)



### OPTIONS

- Platforms: wider or deeper
- Bellow safety skirting
- Stainless steel, galvanized or 'steel-it' painted units
- Lift/tilt: reduced
- Ross valves



MODEL NO.	CAPACITY (LBS)	STD. PLAT. BASE (W x L) (IN.)	OVERSIZED PLATFORMS (UP TO) (IN.)	LOW HT (LH) (IN.)	TRAVEL (IN.)	RAISED HEIGHT (TH) (IN.)	TILT ANGLE (A) Degrees	APPROX. WT (LBS)
<b>BASE SIZE: 36" WIDE X 48" DEEP</b>								
ABTR-SL10-3660	1,000	36 x 48	60 x 72	15	24	39	30	1000
ABTR-SL20-3660	2,000	36 x 48	60 x 72	15	24	39	30	1150
ABTR-SL40-3660	4,000	36 x 48	60 x 72	15	24	39	30	1295
ABTR-SL60-3660	6,000	36 x 48	60 x 72	15	24	39	30	1395
<b>BASE SIZE: 48" WIDE X 48" DEEP</b>								
ABTR-SL10-4848	1,000	48 x 48	72 x 72	15	24	39	30	1195
ABTR-SL20-4848	2,000	48 x 48	72 x 72	15	24	39	30	1295
ABTR-SL40-4848	4,000	48 x 48	72 x 72	15	24	39	30	1395
ABTR-SL60-4848	6,000	48 x 48	72 x 72	15	24	39	30	1495
<b>BASE SIZE: 60" WIDE X 48" DEEP</b>								
ABTR-SL10-6048	1,000	60 x 48	84 x 72	15	24	39	30	1295
ABTR-SL20-6048	2,000	60 x 48	84 x 72	15	24	39	30	1395
ABTR-SL40-6048	4,000	60 x 48	84 x 72	15	24	39	30	1495
ABTR-SL60-6048	6,000	60 x 48	84 x 72	15	24	39	30	1595