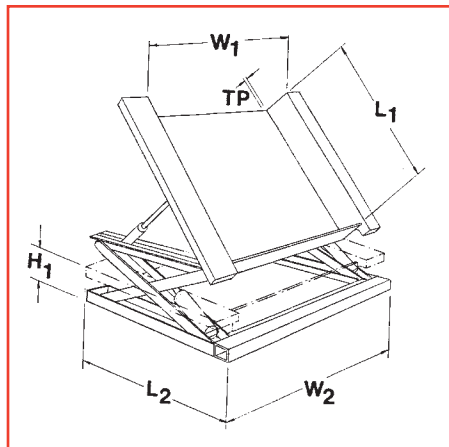
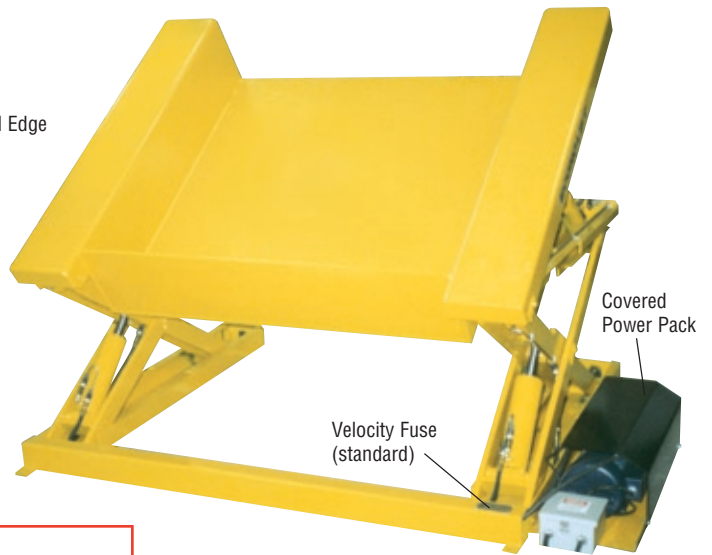
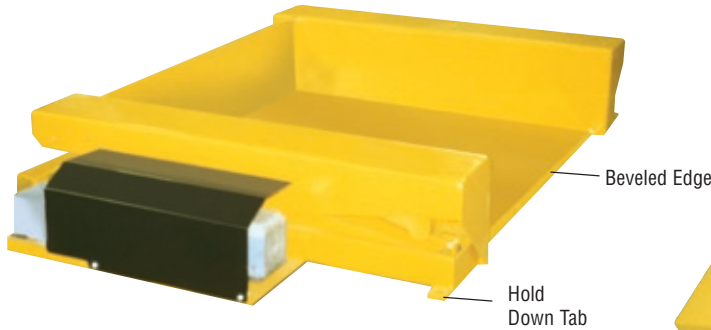


DRIVE-ON LIFT/TILT TABLES

1,000/2,000/4,000 LBS



TRAVEL

- 30", 38"

TILT ANGLE

- 0-45°

SAFETY

- Velocity fuse on each cylinder to eliminate tables from collapsing due to hose failure
- Hold down tabs on all four corners

LOWERED HEIGHT OF TABLE

- Floor level

POWER SUPPLIES

A/C 110 volt

Single phase motor
(hand or foot controls
standard draws approx.
15 amps)

A/C 460/575 volt

Three phase motors
(optional)

Air/Hydraulic

Foot operated (Standard)
(hand held pendant optional)

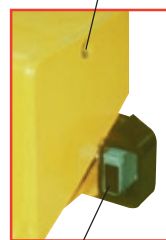
OPTIONS

- Different platform sizes
- Bellow safety skirting / safety touch bars
- Vertical travel - high or lower
- Limit switches / photo eyes
- Eye bolts - for moving lifts easily
- Semi Portable - for moving empty lifts, c/w dolly handle

OPTIONS



Eye Bolt Hole
(used to move empty lift)



Guarded Safety Photo Eye



| MODEL NO. | CAPACITY (LBS.) | PLATFORM SIZE W ₁ x L ₁ (IN.) | LOW'D HEIGHT TP (IN.) | VERTICAL TRAVEL H ₂ (IN.) | OVERALL SIZE W ₂ L ₂ (IN.) | LOW'D HEIGHT H ₁ (IN.) | OVERALL HEIGHT H ₃ (IN.) |
|-----------------|-----------------|---|-----------------------|--------------------------------------|--|-----------------------------------|-------------------------------------|
| DO-SL/TRT 30-10 | 1,000 | 50 x 50 | 3/8 | 30 | 68.5 x 56 | 12 | 42 |
| DO-SL/TRT 30-20 | 2,000 | 50 x 50 | 3/8 | 30 | 68.5 x 56 | 12 | 42 |
| DO-SL/TRT 30-40 | 4,000 | 50 x 50 | 1/2 | 30 | 68.5 x 56 | 12 | 42 |
| DO-SL/TRT 38-10 | 1,000 | 50 x 60 | 3/8 | 38 | 68.5 x 66 | 12 | 50 |
| DO-SL/TRT 38-20 | 2,000 | 50 x 60 | 3/8 | 38 | 68.5 x 66 | 12 | 50 |
| DO-SL/TRT 38-40 | 4,000 | 50 x 60 | 1/2 | 38 | 68.5 x 66 | 12 | 50 |

DRIVE-ONS