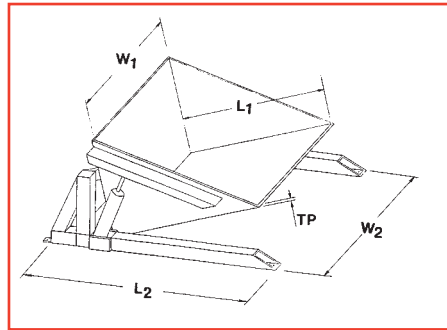
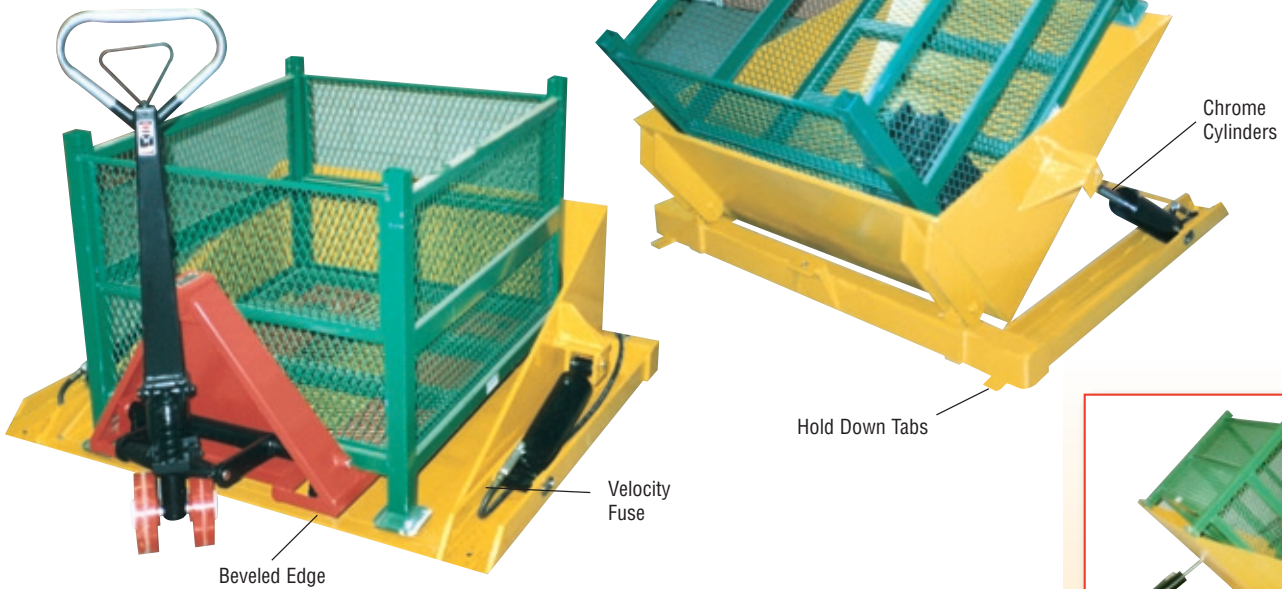


DRIVE-ON TILT TABLES

1,000/2,000/4,000 LBS



TILT ANGLE

- 0-45°

SAFETY

- Velocity fuse on each cylinder to eliminate tables from collapsing due to hose failure.
- Hold down tabs on all four corners.

LOWERED HEIGHT OF TABLE

- Floor level

POWER SUPPLIES

A/C 110 volt (standard)

Single phase motor
(hand or foot operated controls available)

A/C 460/575 volt (optional)

Three phase motors

Air/Hydraulic (standard)

Foot operated

OPTIONS

- Different platform sizes
- Bellow safety skirting
- Limit switches
- Photo Eye
- Semi-portable c/w dolly handle

OPTIONS



| MODEL NO. | CAPACITY (LBS.) | PLATFORM SIZE W ₁ x L ₁ (IN.) | LOW'D HEIGHT TP (IN.) | TILT ANGLE (degrees) | OVERALL SIZE W ₂ x L ₂ (IN.) |
|---------------|-----------------|---|-----------------------|----------------------|--|
| DO-TRT10-4450 | 1,000 | 44 x 50 | 3/8 | 45 | 55 x 54 |
| DO-TRT20-4450 | 2,000 | 44 x 50 | 3/8 | 45 | 55 x 54 |
| DO-TRT40-4450 | 4,000 | 44 x 50 | 1/2 | 45 | 55 x 54 |
| DO-TRT10-5050 | 1,000 | 50 x 50 | 3/8 | 45 | 61 x 54 |
| DO-TRT20-5050 | 2,000 | 50 x 50 | 3/8 | 45 | 61 x 54 |
| DO-TRT40-5050 | 4,000 | 50 x 50 | 1/2 | 45 | 61 x 54 |